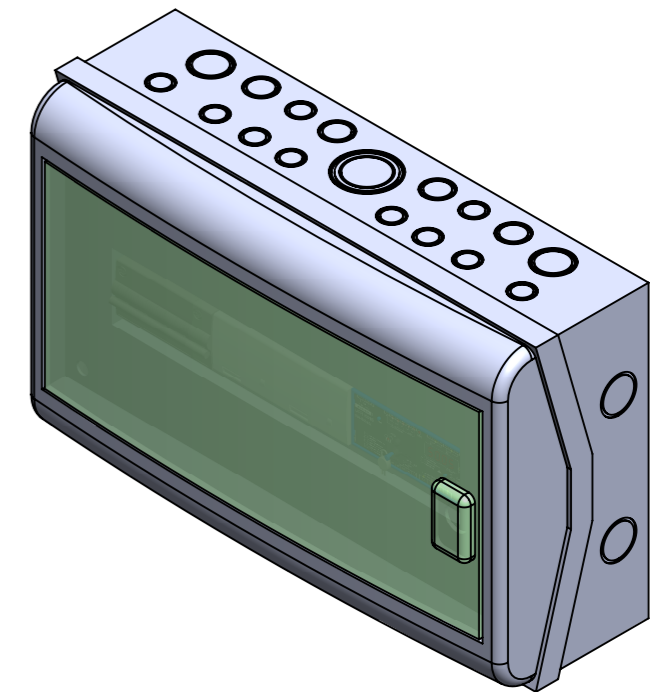
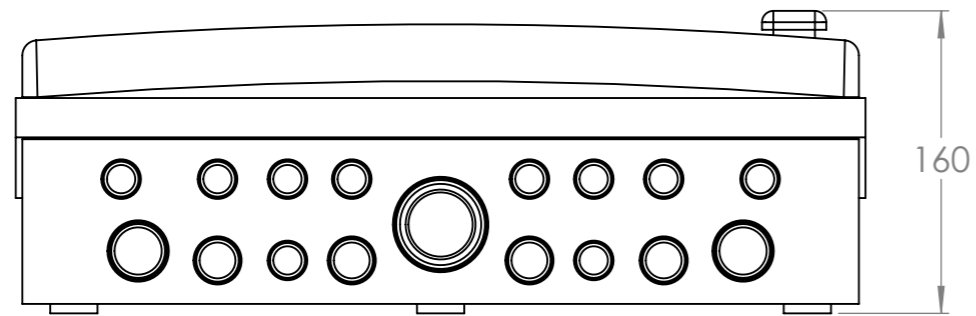
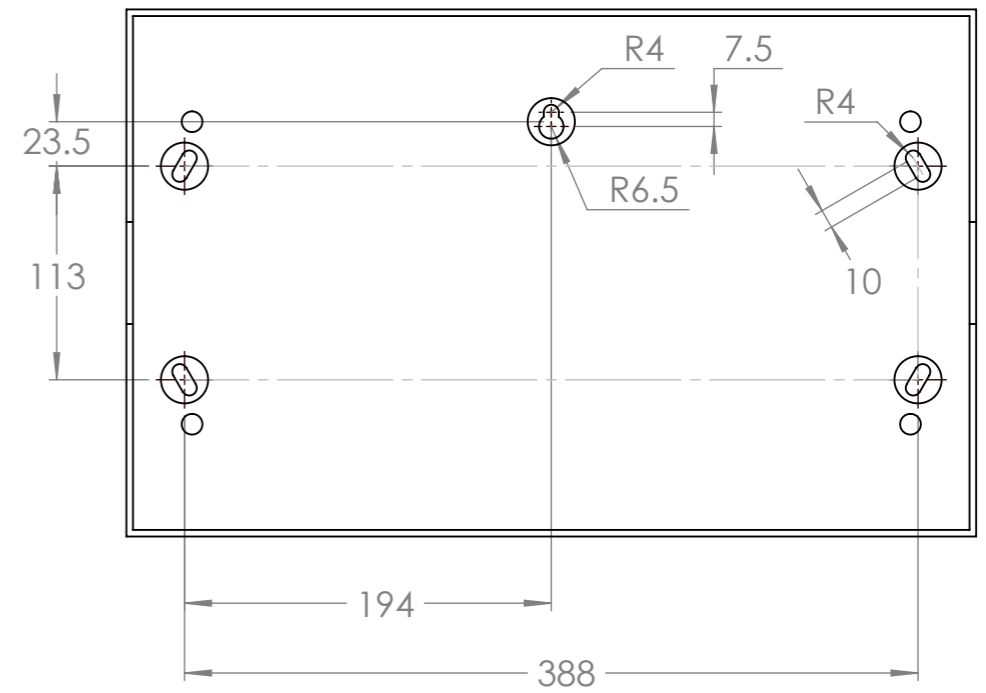
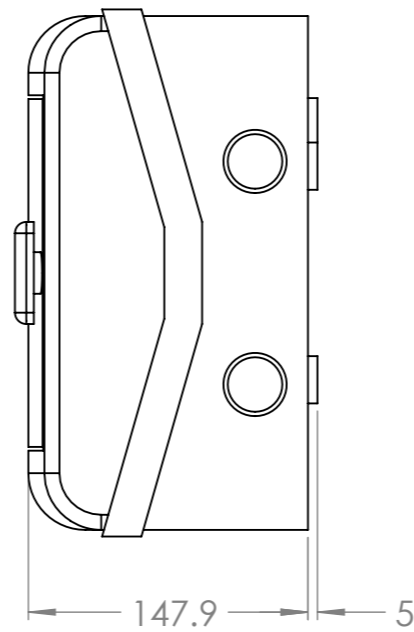
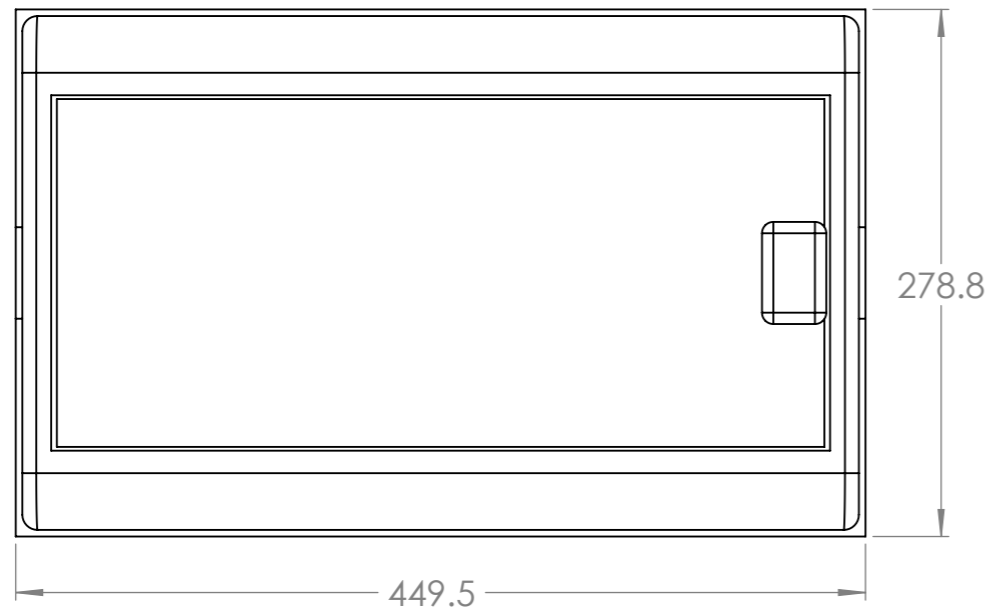


Dimension Drawing - Anti-islanding box  
 RCD000300200 | Anti-islanding box 63A single and three phase



Dimensions in mm



**victron energy**  
 BLUE POWER